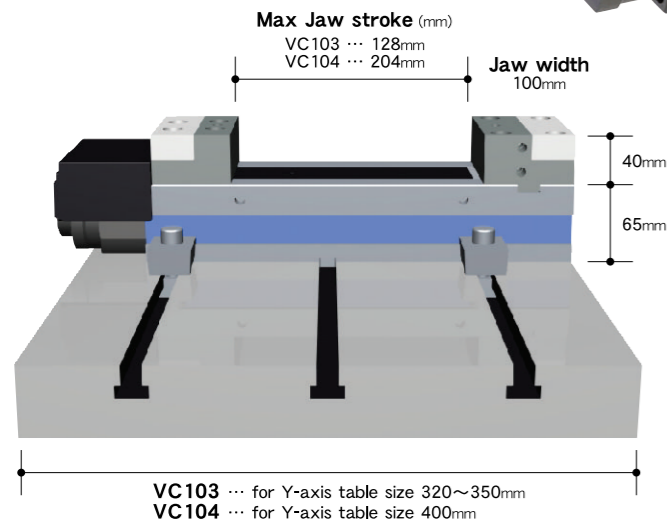




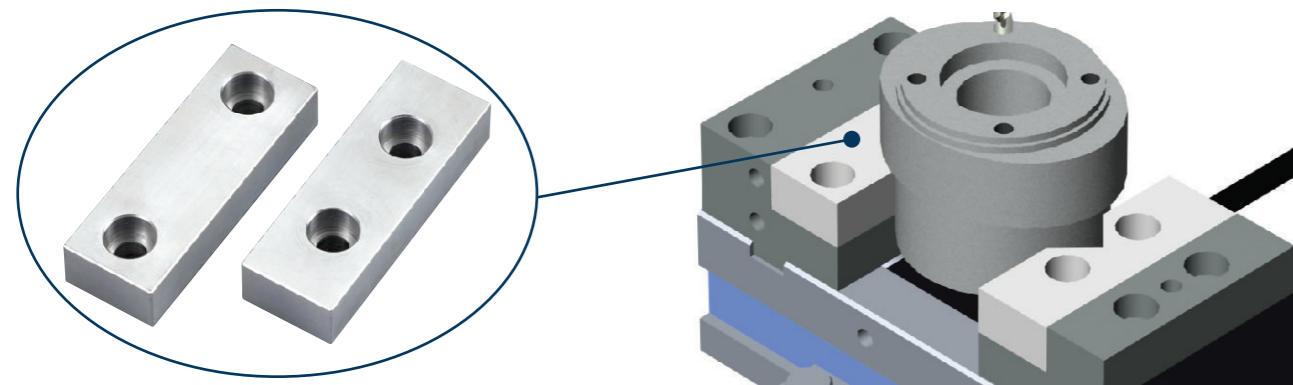
## Just Fit Power Vises for Small-sized Tapping Machines



### Top jaw dimension table

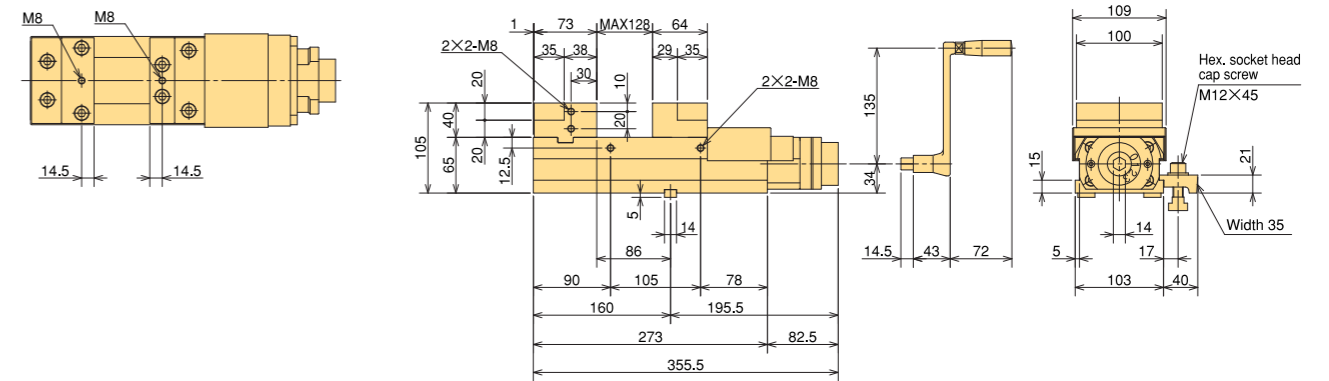
- ※ Many kinds of work-piece can also be successfully gripped with the formed top jaws.
- ※ The lower profile body makes it possible to obtain the max. machining range.
- ※ This is the largest jaw opening for this class.

### Aluminum Jaws Application

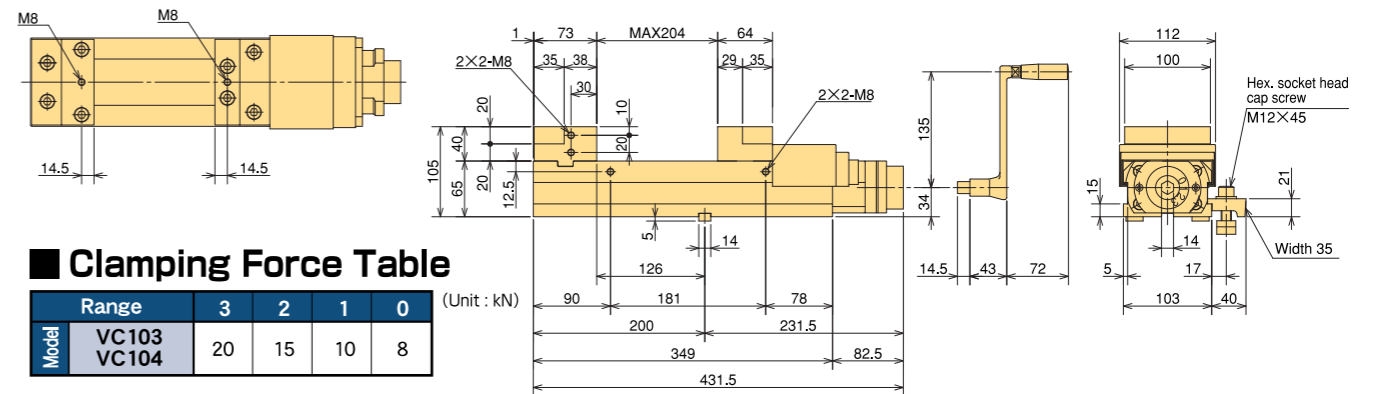


※Refer to dimensions on page 17.

### VC103 Dimensions



### VC104 Dimensions



### Clamping Force Table

| Range       | 3  | 2  | 1  | 0 | (Unit : kN) |
|-------------|----|----|----|---|-------------|
| Model VC103 | 20 | 15 | 10 | 8 |             |
| Model VC104 |    |    |    |   |             |

### Specifications

| Model | Jaw width (mm) | Jaw height (mm) | Jaw stroke (mm) | Work mounting face height (mm) | Total height (mm) | Full length (mm) | Max. clamping force kN | Mass (kg) |
|-------|----------------|-----------------|-----------------|--------------------------------|-------------------|------------------|------------------------|-----------|
| VC103 | 100            | 40              | 128             | 65                             | 105               | 355.5            | 20                     | 16        |
| VC104 | 100            | 40              | 204             | 65                             | 105               | 431.5            | 20                     | 19        |

### Matchless combination with these machines.

